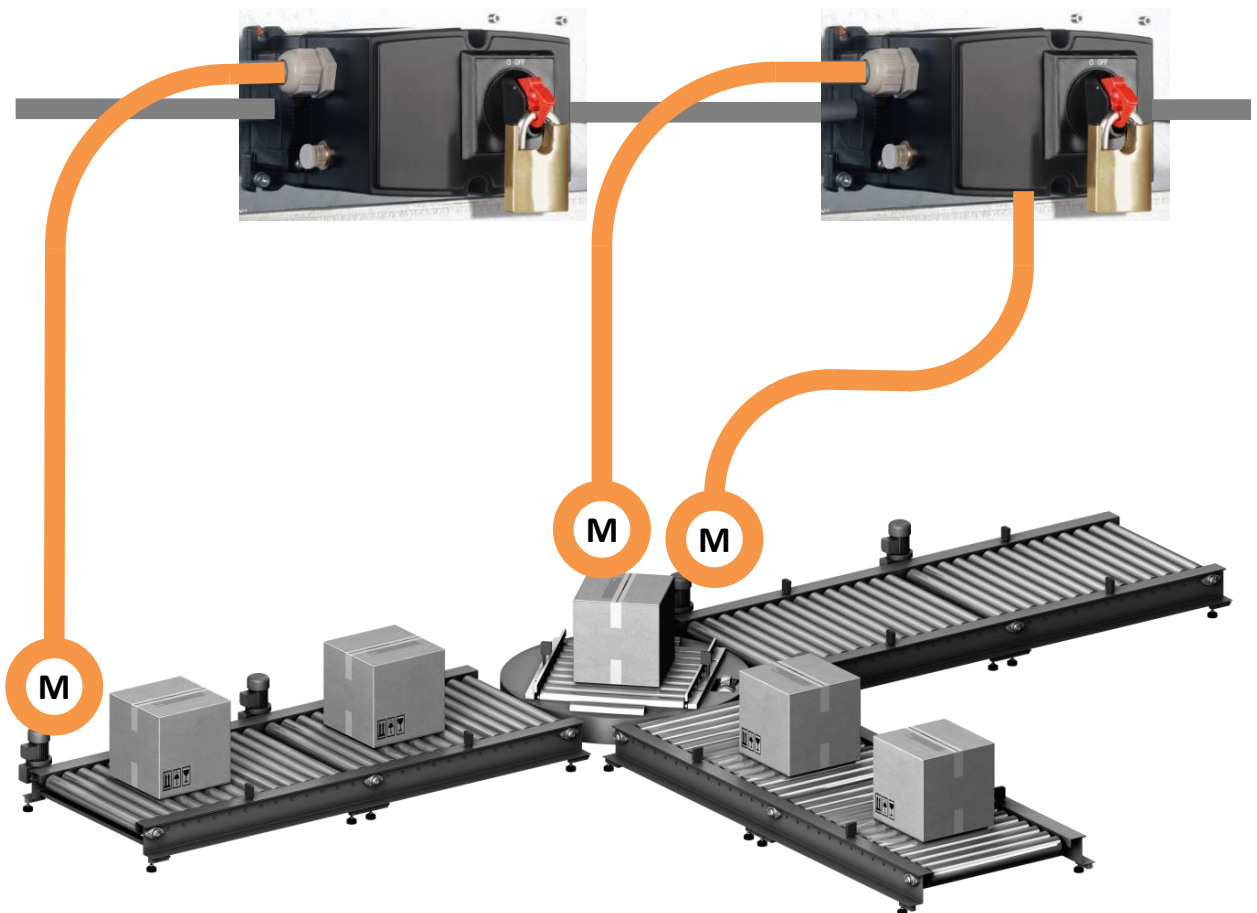


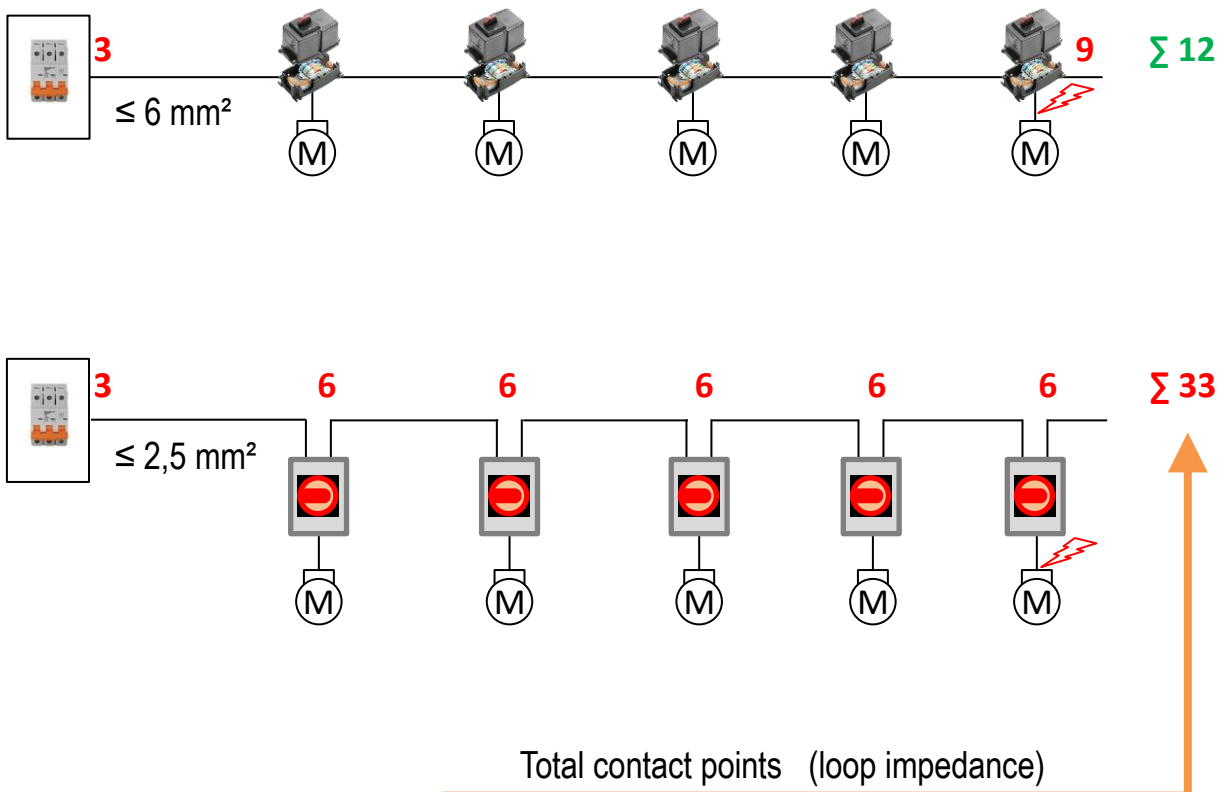
FieldPower® maintenance switch Protective device against unexpected start-up

Before starting work on active parts of electrical installations and equipment the de-energised state must be established and ensured for the duration of the work



Your benefit:

- ✓ 50% less wiring time
- ✓ System reliability with significantly fewer contact points
 - ✓ 2.4-fold longer segments with 6mm² leads



FieldPower® maintenance switch

Weidmüller Interface GmbH & Co. KG
 Klingenbergstraße 26
 D-32758 Detmold
 Germany
 Fon: +49 5231 14-0
 Fax: +49 5231 14-292083
 www.weidmueller.com

FieldPower® maintenance switch IP65

- The FieldPower® maintenance switch can be used to supply and disconnect motors and plant components up to 690 V AC / 16A. In accordance with EN 60204 (Machinery Directive), they serve to
 - Switching off
 - disconnecting and
 - prevent unexpected start-up
- In OFF position, the rotary handle can be locked with up to 3 padlocks (6 mm).
- The FieldPower® contact modules enable fast and error-free distribution of power. (L1, L2, L3, N, PE)
- The switching position is signalled with a potential-free auxiliary switch. The connection is made via an M12 plug.
- The IP65 polycarbonate enclosures are extremely robust, UV-resistant and comply with a high UL fire protection class.
- Suitable maintenance switch variants are available for different applications.
 1. FP BOX ON/OFF
 → switch-disconnector for one motor
 2. FP BOX ON/OFF VG M20
 → switch-disconnector with mounted M20 cable gland for one motor
 3. FP BOX ON/OFF W/O AUX
 → switch-disconnector without auxiliary switch for one motor
 4. FP BOX ON/OFF VG M20 3AN
 → switch-disconnector for connecting up to three motors
 5. FP BOX 10P AC DC ON/OFF
 → switch-disconnector with additional auxiliary power distribution +1, -1, FE, +2, -2 for one motor



Order details

Type	Mat.-no.	Availability
FP BOX ON/OFF	1003260000	Stock article
FP BOX ON/OFF VG M20	2819530000	Stock article
FP BOX ON/OFF W/O AUX	2921380000	Stock article
FP BOX ON/OFF VG M20 3AN	8000056232	Stock article
FP BOX 10P AC DC ON/OFF	8000055047	On request

FieldPower® maintenance switch

Weidmüller Interface GmbH & Co. KG
 Klingenbergstraße 26
 D-32758 Detmold
 Germany
 Fon: +49 5231 14-0
 Fax: +49 5231 14-292083
 www.weidmueller.com

Accessories

Cable entry with split seals

- Split round cable seals [Link](#) to product catalogue
 outer cable diameter 7-17 mm



IP65

Seal for two cables

- Seal with 2x 8,5 mm holes for cable 8.5 - 10.5 mm
- RKDG 2XD8.5 WG PT6 1114530000



IP54

Blind seal to close unused openings

- DG D0 PT6 432324000



IP65

Lid with maintenance switch

- BG GHDE HO SA UL PT6 1113120000
 (Lid of 1003260000)
- GHDE 10P HO ON/OFF PTS4 8000005211



IP65

Enclosure base modules

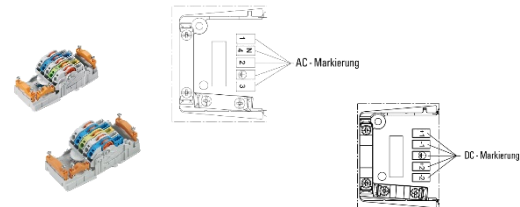
- GH PT6 1070140000
- GH 10P PT6 1121980000
- BG GH 10P 4XVG PT6 1121990000



IP65

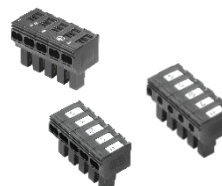
Contact elements

- PT6 1957620000
- PT6 DC 1126840000



Plug-in connector

- PTS 4 1952120000 (Included in the scope of delivery of the maintenance switches)
- PTDS4 1952130000 2 wires per pole
- PTS 4 DC 1131730000 1 wire per pole
- PTDS4 DC 1009990000 2 wires per pole



FieldPower® maintenance switch

Weidmüller Interface GmbH & Co. KG
 Klingenbergstraße 26
 D-32758 Detmold
 Germany
 Fon: +49 5231 14-0
 Fax: +49 5231 14-292083
 www.weidmueller.com

Technical data

Temperatures

Operating temperature	-30 °C...45 °C (non condensing)	Storage temperature	-30°C...55°C
-----------------------	------------------------------------	---------------------	--------------

General data

Can be coded	Yes, Coded on PE	Cable diameter M20 cable gland	6... 12 mm
Rated voltage	3 x 380...690 VAC	Rated current (power distribution)	41 A
Silicone	No	Halogen	No
Insulation material	Polycarbonate, GF10	Material colour	black

Clamping capacity IDC connection – power bus

Blade size	0,6 x 3,5 mm
Wire cross-section, solid	1,5 ... 6 mm ²
Wire cross-section, stranded	2,5 ... 6 mm ²
Wire cross-section, finely stranded	2,5 ... 6 mm ²

Clamping capacity switch disconnector

Anzugsdrehmoment	0,8 Nm
Wire cross-section	0,75 ... 10 mm ²

Clamping capacity PUSH-IN connection – terminals (FP Box ON/OFF... 3AN)

Blade size	0,6 x 3,5 mm
Wire cross-section, solid	0,5 ... 4 mm ²
Wire cross-section, stranded	0,5 ... 4 mm ²
Wire cross-section, finely stranded	0,5 ... 4 mm ²

Technical Data switch disconnector

Rated short-term current resistance I_{CW}	500 A rms for 1s	Rated power AC-23A	7,5 kW
Rated current AC-23A	16 A		

Standards

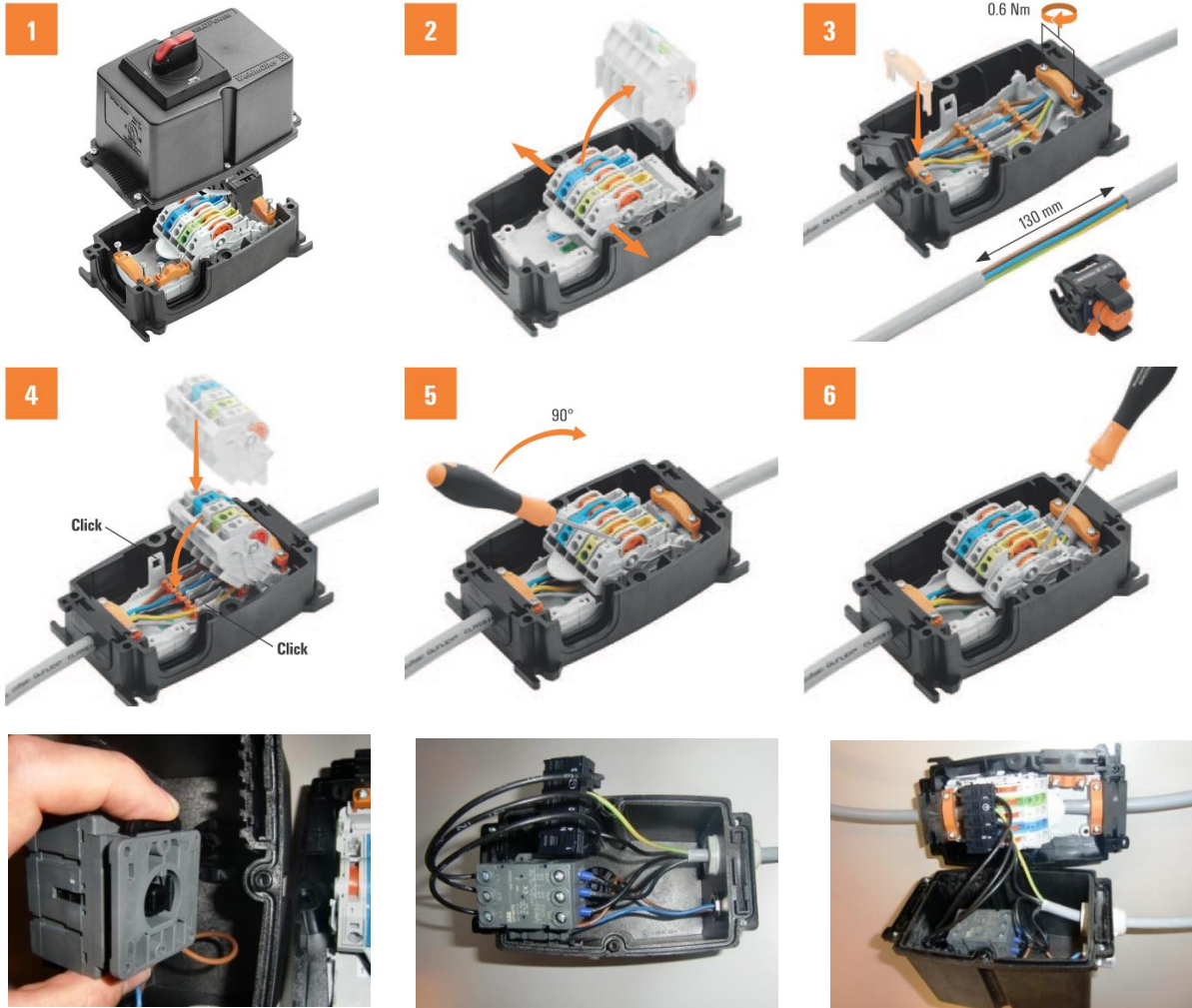
EN 60947-1

FieldPower® maintenance switch

Weidmüller Interface GmbH & Co. KG
 Klingenbergstraße 26
 D-32758 Detmold
 Germany
 Fon: +49 5231 14-0
 Fax: +49 5231 14-292083
 www.weidmueller.com

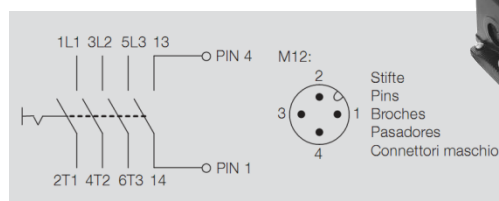
Installation

Maintenance switch for one motor



Installation movie FieldPower® terminal
https://www.youtube.com/watch?v=YSSKW2E_4SU

PIN-assignment M12 plug



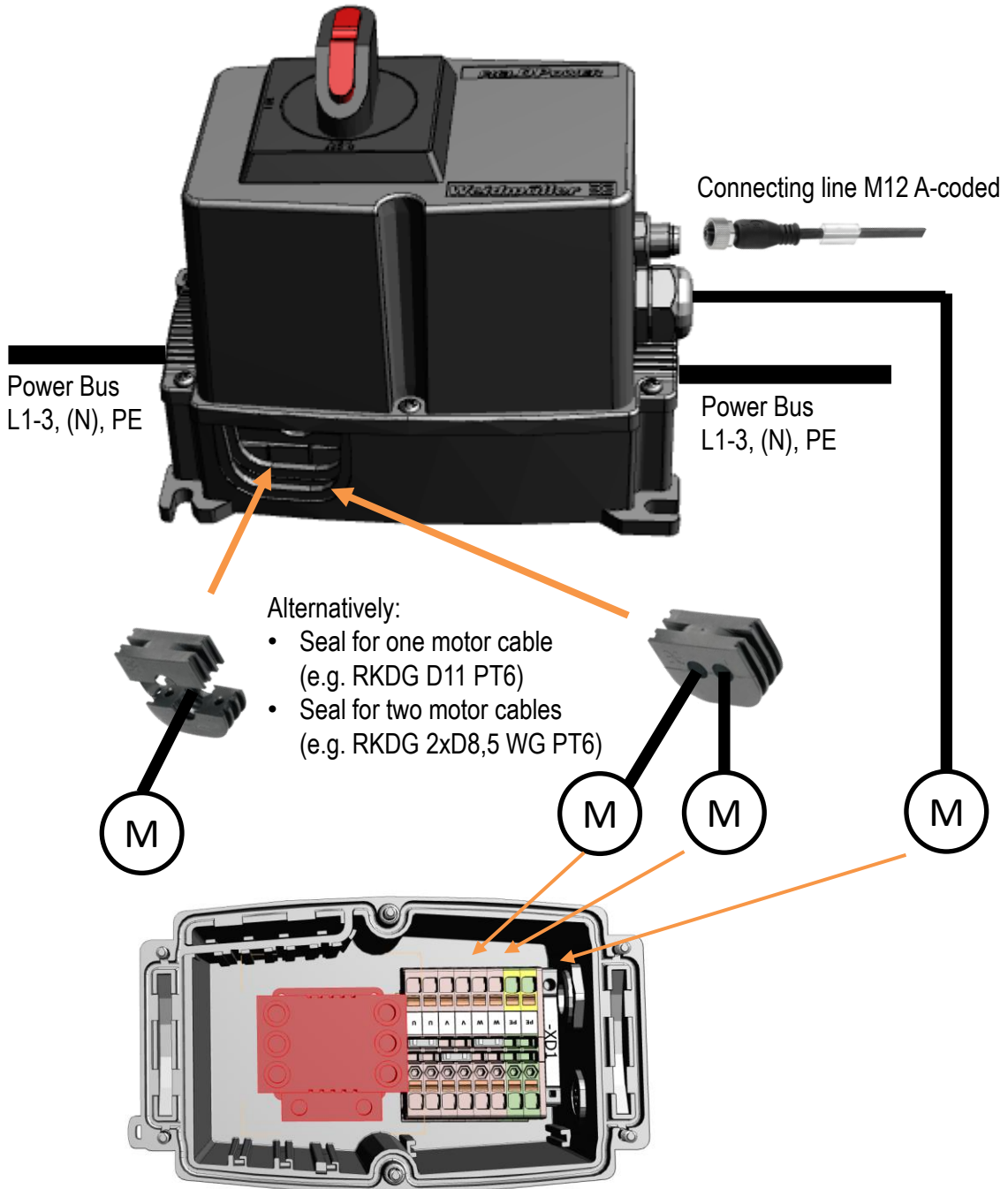
FieldPower® maintenance switch

Weidmüller Interface GmbH & Co. KG
Klingenbergstraße 26
D-32758 Detmold
Germany
Fon: +49 5231 14-0
Fax: +49 5231 14-292083
www.weidmueller.com

Installation

Maintenance switch for two or three motors

FP BOX ON/OFF VG M20 3AN



FieldPower® maintenance switch

Weidmüller Interface GmbH & Co. KG
Klingenbergstraße 26
D-32758 Detmold
Germany
Fon: +49 5231 14-0
Fax: +49 5231 14-292083
www.weidmueller.com

UL information

Maintenance switch for two or three motors

FP BOX ON/OFF VG M20 3AN

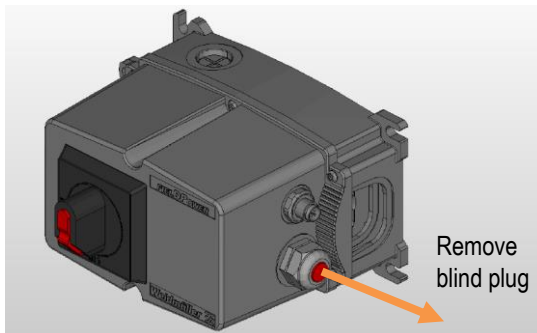
This variant complies with UL508A, taking into account the following notes on application:

Type:	Industrial Control Panel
Article number:	8000056232
Type:	FP BOX ON OFF VG M20 3AN
Rated power UL:	5 hp, 240 V AC 10 hp, 600 V AC
Rated SCCR:	5 kA
Cable size contact unit:	AWG14 to AWG10
Cable size terminals:	AWG16 to AWG12
Type rating:	Type 3R
Ambient temperature:	-20°C to +40°C w/o condensation



WARNING: DO NOT OPEN WHEN ENERGIZED

- A maximum of 3 motors may be connected to the FP BOX ON/OFF.
The maximum current per motor shall not exceed 4 A
- A suitable upstream fuse shall be provided by the customer.
Three Phase: 5,000 A rms symmetrical, 600 Vac maximum short circuit rating, when provided with
 - 50 A, Class RK5 fuses
 - 30 A, Class CC, J, T, RK1 fuses
- The blind plug in the cable gland serves only as dust protection during transport.
During installation, the plug should be removed and replaced with the motor cable.



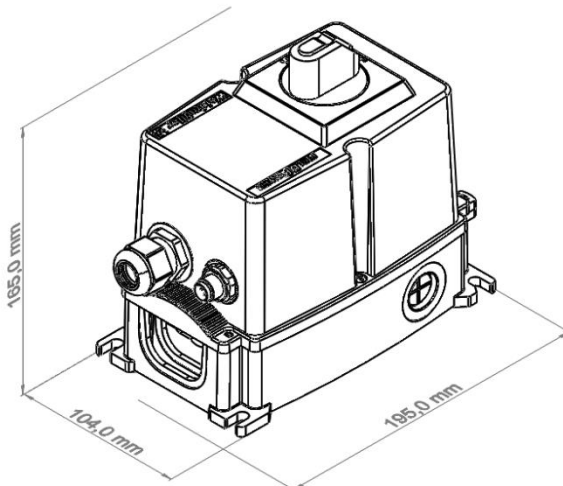
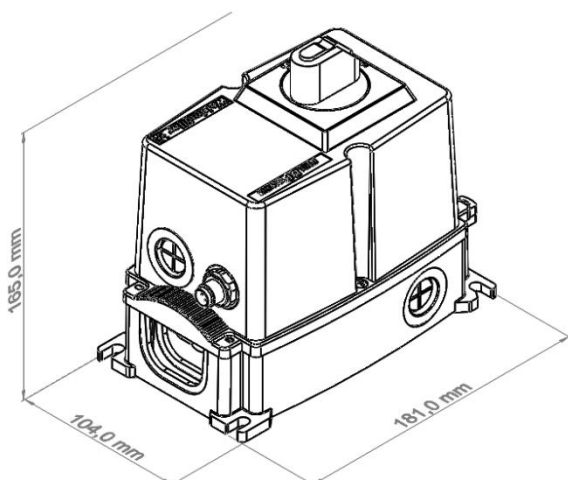
FieldPower® maintenance switch

Weidmüller Interface GmbH & Co. KG
Klingenbergstraße 26
D-32758 Detmold
Germany
Fon: +49 5231 14-0
Fax: +49 5231 14-292083
www.weidmueller.com

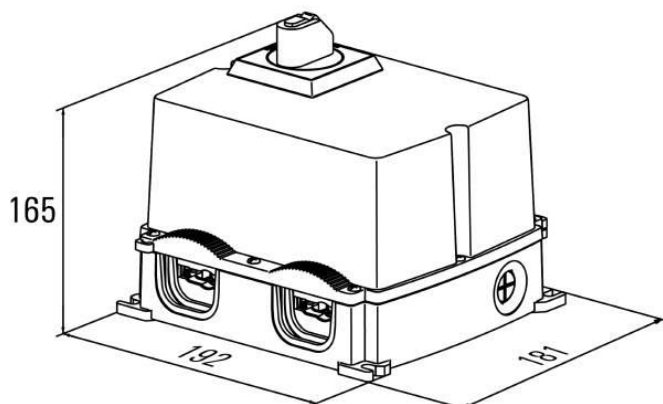
Drawings

Dimensions

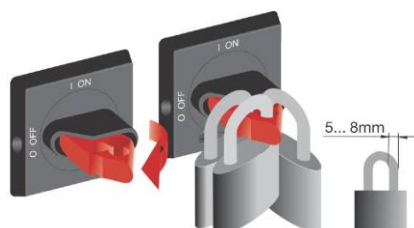
FP BOX ON/OFF....



FP BOX 10P AC DC ON/OFF



Dimensions pad lock



Interest awakened?

We are happy to answer your questions –
in person, quickly and easily

www.weidmueller.com/contact

Further information

[Landing page](#)

[Online catalog](#)

