

PV Protect

Protects PV systems optimally from overvoltages

Ready to connect all-in-one solution for your photovoltaic system

PV systems are directly affected by environmental influences because they are installed in exposed locations. This also increases the risk of lightning strikes. According to EN 51643-32, PV systems must be protected against overvoltages to avoid high repair costs and loss of revenue due to system failure.

PV Protect is the solution for optimum protection of the inverter against overvoltages. The ready-to-connect boxes are available for different system voltages and can be supplied with various arrester types and MPP trackers. Depending on requirements, connection is made via cable glands or WM4C connectors with convenient and reliable PUSH IN connection technology.

For use in photovoltaic systems only!

Your special advantages:

- **Wide range of product variants**
PV Protect is available with different arrester classes (Type I/II and Type II) and rated voltages (1,000 V/ 1,500 V).

The connection is made either via photovoltaic plug connectors or cable glands – for high flexibility.

- **Designed to meet various requirements**

PV Protect is compact, robust, and extremely weatherproof. The housing complies with protection class IP67 and protects the sensitive electronics inside, even from harsh environmental influences.

- **Mount the box, connect the cable, ready**

Thanks to the pre-assembled arresters, the product can be connected quickly and with little effort. The protection of the PV system is ensured immediately. The clear marking of the ports eliminates the possibility of incorrect wiring.



Compact, space-saving design

Available in product variants suitable for different applications

Reliable and maintenance-free PUSH IN connection technology



Cable Gland PG9



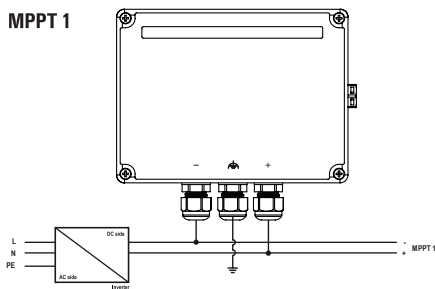
WM4 C Connector



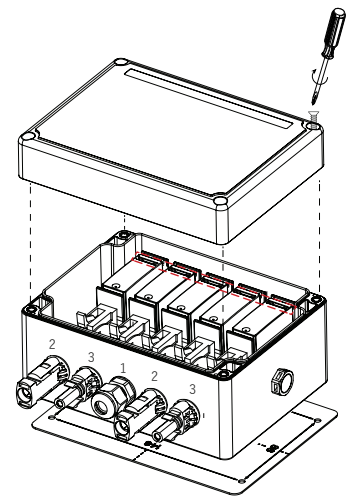
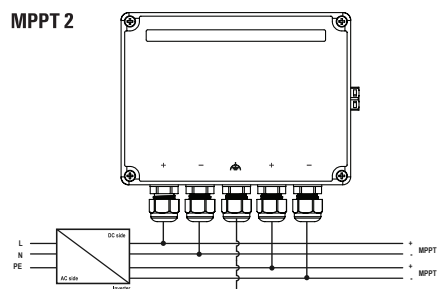
Ready to connect solution in protection class IP67

Description	Product description	Type	Voltage	MPPT	Connection	Order No.
VPUM111SXFV100TXPX10	VPU PV BOX CG I+II 3 1000 1M	I+II	1000 V	1	Cable Glands	2755970000
VPUM2I2SXFV100TXPX10	VPU PV BOX CG I+II 5 1000 2M	I+II	1000 V	2	Cable Glands	2755980000
VPUM111SXFV101TXPX10	VPU PV BOX WM4 I+II 3 1000 1M	I+II	1000 V	1	WM4C	2764140000
VPUM2I2SXFV101TXPX10	VPU PV BOX WM4 I+II 5 1000 2M	I+II	1000 V	2	WM4C	2764150000
VPUM111SXFV200TXPX10	VPU PV BOX CG II 3 1000 1M	II	1000 V	1	Cable Glands	2755950000
VPUM2I2SXFV200TXPX10	VPU PV BOX CG II 5 1000 2M	II	1000 V	2	Cable Glands	2755960000
VPUM111SXFV201TXPX10	VPU PV BOX WM4 II 3 1000 1M	II	1000 V	1	WM4C	2764110000
VPUM2I2SXFV201TXPX10	VPU PV BOX WM4 II 5 1000 2M	II	1000 V	2	WM4C	2764130000
VPUM111SXFV200TXPX15	VPU PV BOX CG II 3 1500 1M	II	1500 V	1	Cable Glands	2755990000
VPUM2I2SXFV200TXPX15	VPU PV BOX CG II 5 1500 2M	II	1500 V	2	Cable Glands	2756000000
VPUM111SXFV201TXPX15	VPU PV BOX WM4 II 3 1500 1M	II	1500 V	1	WM4C	2764160000
VPUM2I2SXFV201TXPX15	VPU PV BOX WM4 II 5 1500 2M	II	1500 V	2	WM4C	2764180000

MPPT 1



MPPT 2



Weidmüller Interface GmbH & Co. KG
 Klingenbergstraße 26
 32758 Detmold, Germany
 T +49 5231 14-0
 F +49 5231 14-292083
 www.weidmueller.com

Personal support can be found on our website:
www.weidmueller.com/contact



Let's connect.

Visit our website for more information

We reserve the right to make technical changes - 10/2020/TCTC