

# Distributor with integrated logic

<b>Distributor with integrated logic</b>	Introduction	F.2
	Distributor with integrated logic	F.4
	Terminator resistor - Bridge	F.6

# Signal distribution via AND or OR circuit

## SAI distributor with preprocessing logic circuit

In mechanical engineering, many sensors have to be wired and combined on a regular basis. For this, it is usually necessary to carry out the complete wiring to the PLC. SAI logic modules allow logical connections to be made to the distributors and, thus, save installation time.

Our SAI distributors with logic module contain logic circuits in groups of four. Four signals at a time are combined either via an AND or an OR circuit. A four-pin M12 connector transmits the data. In this way, only one input for a maximum of four sensors is required on the PLC.

### Your special advantages

- Very small design
- Combination of four signals to an AND or OR circuit
- Connection via a four-pin M12 connector

**Available in two sizes**

The modules are available with either four-way or eight-way M8 distributors.



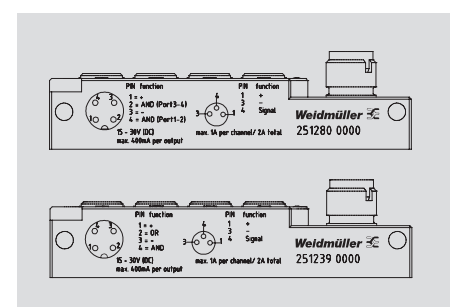
**Small construction**

The use of small M8 connectors enables a particularly space-saving design. The same applies to the four-pin M12 common plug for feedback of the collected signals.



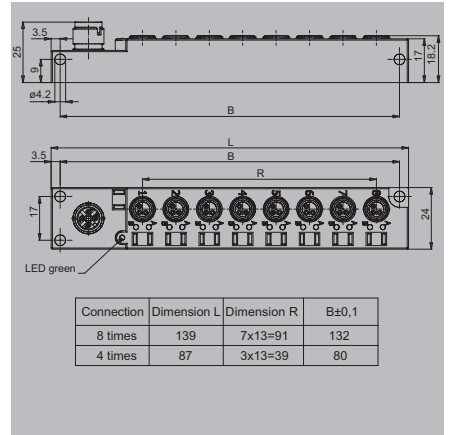
**Two logic functions available**

M8 distributors are optionally available with AND circuit or alternatively with an AND and an OR circuit.



**Distributor with integrated logic**

**And-Conjunction with M12 outlet**



**Ordering data**

Complete modules	
	4 plug-in stations
	8 plug-in stations
Note	

**SAI-4-S**

**3-pole**

Type	Qty.	Order No.
SAI-4-S-3P-M8L-M12-2AND	1	2512800000

**SAI-8-S**

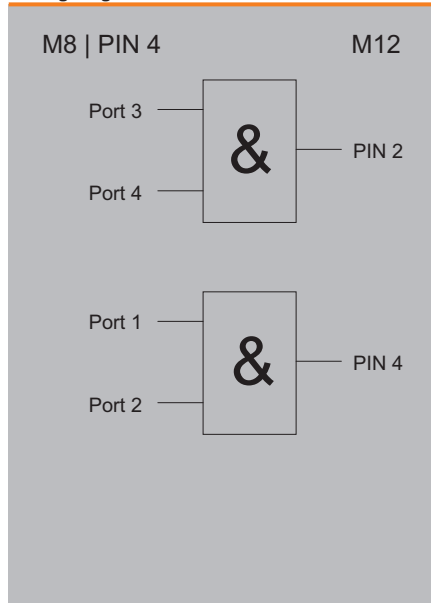
**3-pole**

Type	Qty.	Order No.
SAI-8-S-3P-M8L-M12-2AND	1	2512820000

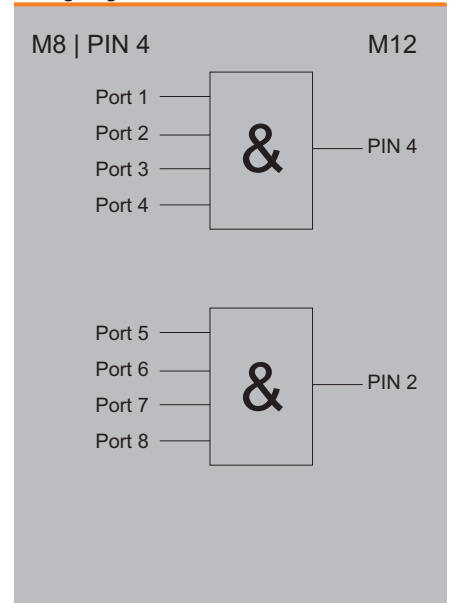
**Technical data**

Operating voltage	15...30 V
Current of continuous busbars	
Max. current-carrying capacity per slot	
Total current	2 A
Pollution severity	3
Protection degree	IP67
Ambient temperature range	-20...90 °C
Housing main material	Pocan
Contact carrier material	PBT (UL 94 V0)
Base material of contacts	Nickel-plated CuZn
Screw socket	Nickel-plated CuZn
Housing colour	grey
Flammability class UL 94	V-0
Clamping range of hood-version	...
Suitable for dragline cable (fixed cable connection)	No

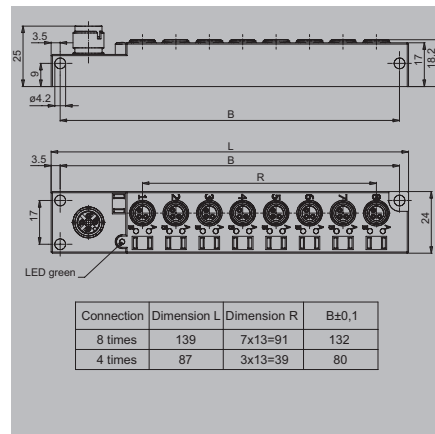
**Wiring diagram**



**Wiring diagram**



And-/Or-Conjunction with M12 outlet



Ordering data

Complete modules	
	4 plug-in stations
	8 plug-in stations
Note	

SAI-4-S

3-pole

Type	Qty.	Order No.
SAI-4-S-3P-M8L-M12-LOG	1	2512390000

SAI-8-S

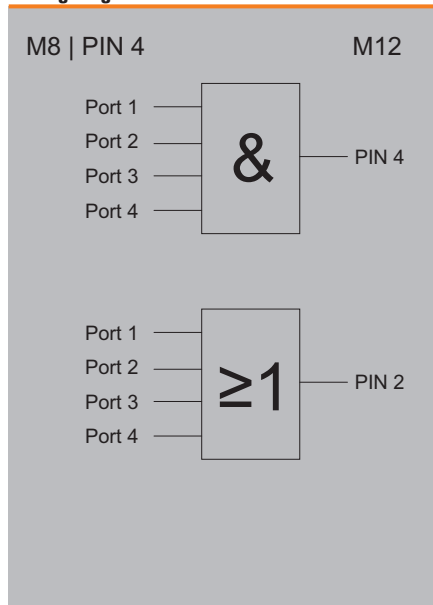
3-pole

Type	Qty.	Order No.
SAI-8-S-3P-M8L-M12-LOG	1	2512810000

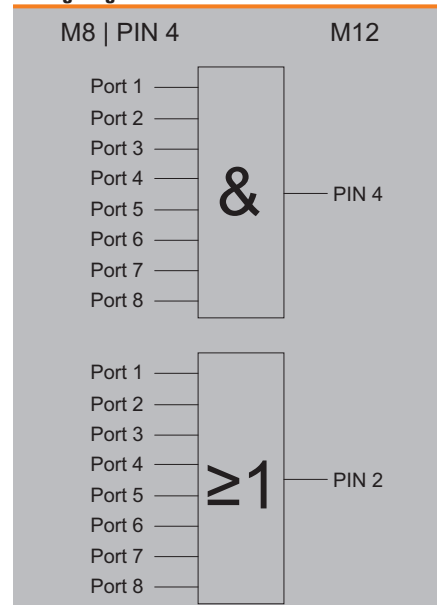
Technical data

Operating voltage	15...30 V
Current of continuous busbars	
Max. current-carrying capacity per slot	
Total current	2 A
Pollution severity	3
Protection degree	IP67
Ambient temperature range	-20...90 °C
Housing main material	Pocan
Contact carrier material	PBT (UL 94 V0)
Base material of contacts	Nickel-plated CuZn
Screw socket	Nickel-plated CuZn
Housing colour	grey
Flammability class UL 94	V-0
Clamping range of hood-version	...
Suitable for dragline cable (fixed cable connection)	No

Wiring diagram



Wiring diagram

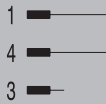


**Distributor with integrated logic**

**Terminator resistor - Bridge**

**M8**

Bridge between 1+4



**Ordering data**

Type	Qty.	Order No.
SAIEND 1/4 M8G 3P	1	2662450000
Other versions on request		