

Technical change HDC base housings size 16D/32A/32B

Dear Madam or Sir,

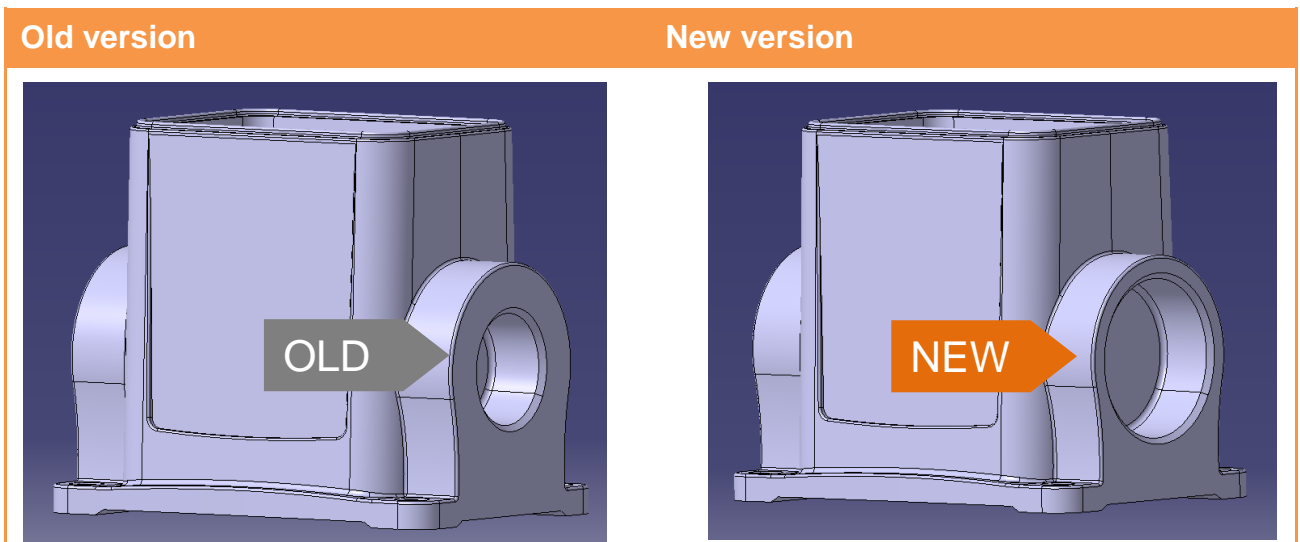
the below listed articles will be supplied in a modified revision. Please pass this product information on to your employees and, if needed, to your customers. All modifications are performed for reasons of product improvements.

1. Initial situation

The base housings are generally prepared for two drillings or cable entries. For base housings with only one cable entry, the opposite hole is closed.

2. Technical change

The inner diameter of the hole preparation is now significantly enlarged. However, this has no further consequences for the user or customer.



3. Reason for change

The reason for change is an optimization of the production process.

4. Availability

The old and new parts are mixed on stock.

5. Affected parts

1332970000	HDC 16D SLU 2M32G MC
1787510000	HDC 16D SLU 2M32G
1900900000	HDC 16D SLU 1M32G
1024670000	HDC 32A SBU 2M32G CS
1666010000	HDC 32A SBU 1PG29G
1666590000	HDC 32A SDBO 1PG29G
1788050000	HDC 32A SDBO 2M32G
1903910000	HDC 32A SDBO 1M32G
1301990000	HDC 32B SBU 2M40G CS

6. Data

PCN-number: PKDPB72-20181116-00-A
date of publishing: 16.11.2018
duration of validity: until further notice
revision number: 00-A

We are very sorry for all the inconveniences caused and doing everything to adjust this product change as smooth as possible without big influence on delivery times and general functions.

For further questions please contact your sales office directly. All contacts for sales representatives are available here: www.weidmueller.com/contact

Best regards

Product Management

Weidmüller Interface GmbH & Co. KG
Klingenbergstraße 16, 32758 Detmold, Germany

Weidmueller – Your partner in Industrial Connectivity
We look forward to sharing ideas with you – **Let's connect.**